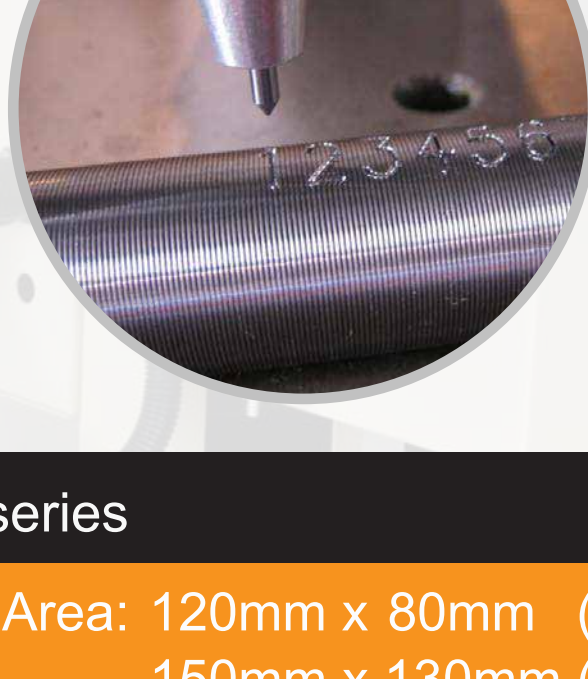


Bench Top Dot Peen Marking Machine (HS-DP)



HS-DP series

- Marking Area: 120mm x 80mm (HS-DP01)
- 150mm x 130mm (HS-DP02)
- 200mm x 150mm (HS-DP03)
- 300mm x 200mm (HS-DP04)

Dot Peen Marking Technology

The HS-DP series marking machine is a pneumatic device that efficiently creates permanent marks on a variety of hard materials such as metal and plastic. It is ideal for effective laser marking across a vast range of industries like steel, machines, electronic machinery and vehicles.

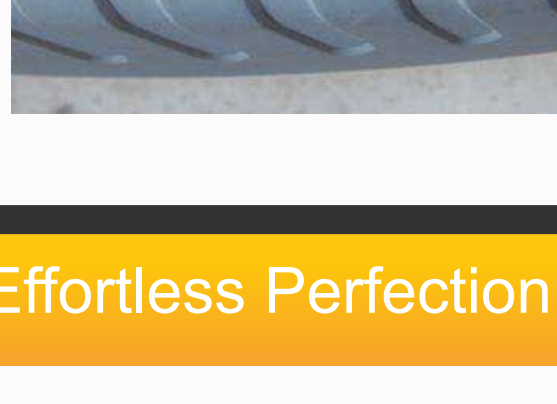
- The Dot Peen marking system works on air power
- It is programmed to work through a PC. It is shipped with the relevant software, USB and cable.
- The X-Y motion being the standard, circle marking is optional.
- The screw holes on the table make it convenient to fix the "to-be-marked" products.

Software Specifics

- Software included
- PC required (not supplied)
- Marking font same as the one on PC
- Windows 98/XP/7 compatible
- Automatic marking
- Automatic serialization

Marking

- Standard and round letters
- Character outlines
- Datamatrix
- VIN codes
- Charts
- Imports logos and graphics



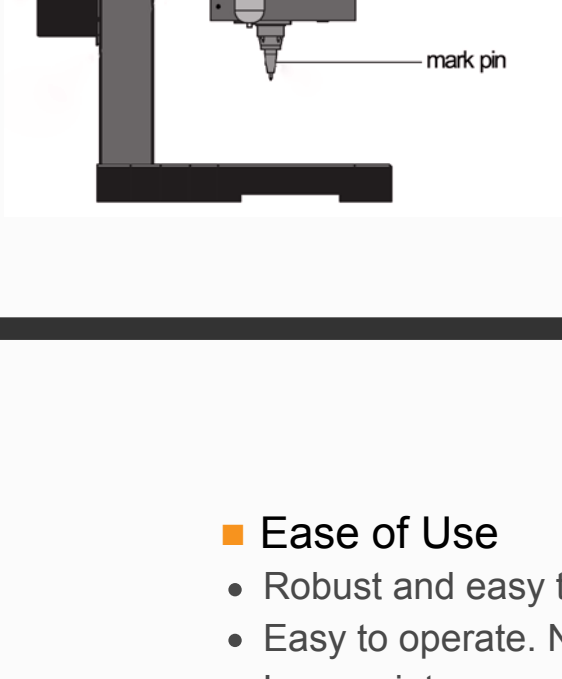
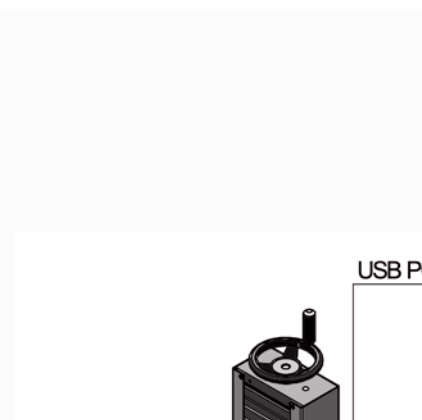
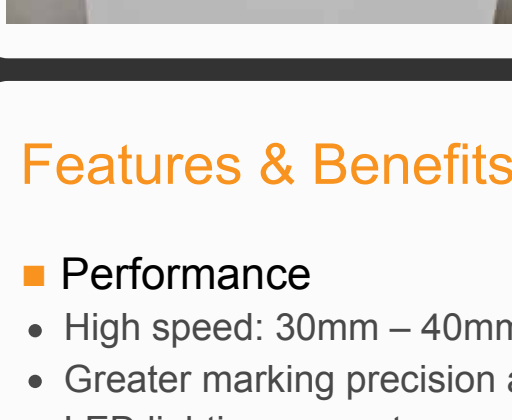
The HS-DP Series: Effortless Perfection

The HS-DP Series Dot Peen marking machine is almost chameleon-like in its ability to mould itself perfectly and fit the size of the part to be marked. It can mark all part sizes up to 300 mm. Metal or plastic, it effortlessly marks a wide-range of materials up to a hardness of 60 HRC.

The HS-DP series is designed for the entire world with its single electrical supply mode from 100V to 240V.

The Column Mounted Dot Peen marking stations hold the ability to mark any material; whether it is plastic or hardened steel. They come with wide marking windows, Autosensing function and LED lighting. They are accurate. They are quick. They are robust.

The Dot Peen Marking Technology gives these marking devices the ability to fit perfectly with all shapes and sizes, as well as surface conditions. They offer the same efficiency on surfaces that are flat, circular, concave or convex. All they need is a source of electrical energy.



Features & Benefits

Performance

- High speed: 30mm – 40mm/S
- Greater marking precision and accuracy
- LED lighting support
- Marks with ease any hardness level up to 60 HRC

Ease of Use

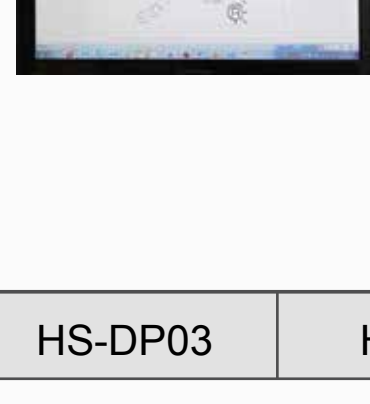
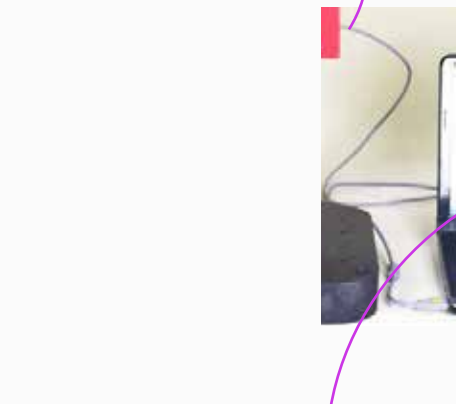
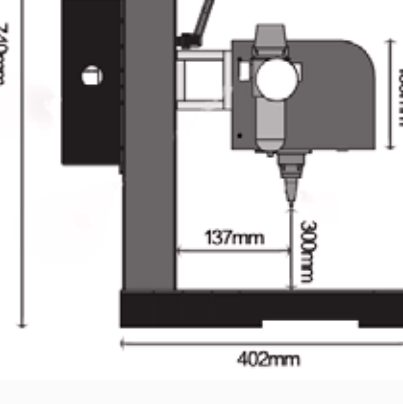
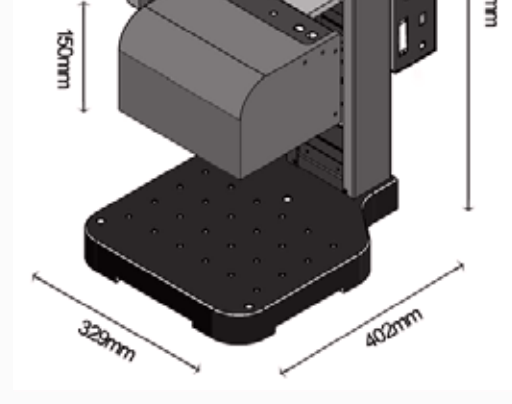
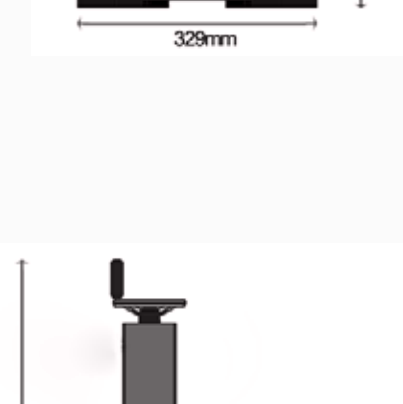
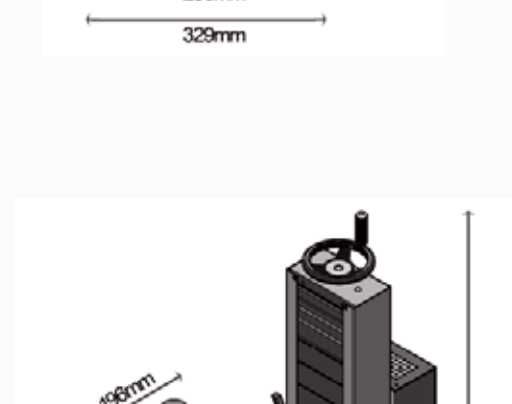
- Robust and easy to install
- Easy to operate. No training required.
- Low maintenance with long-life of the marking pins
- Low electrical consumption (125 W)

Reliability

- Marks parts with a height up to 300 mm
- Rated power 100V-240V 50HZ/60HZ
- Hard-alloy Tungsten marking pins

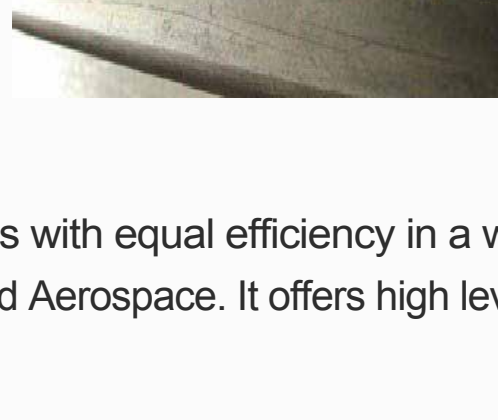
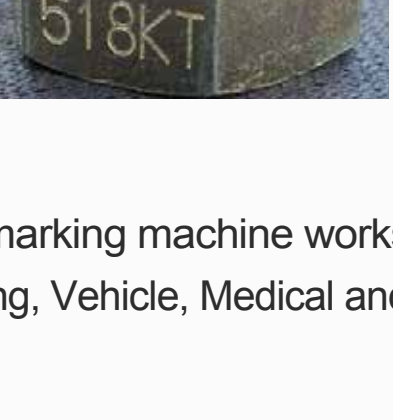
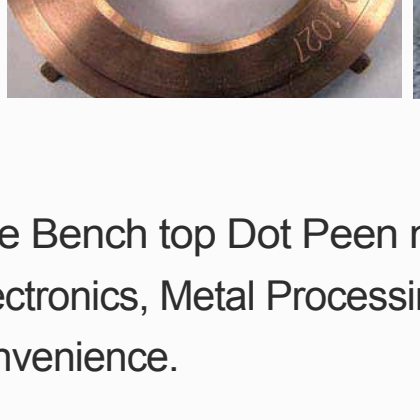
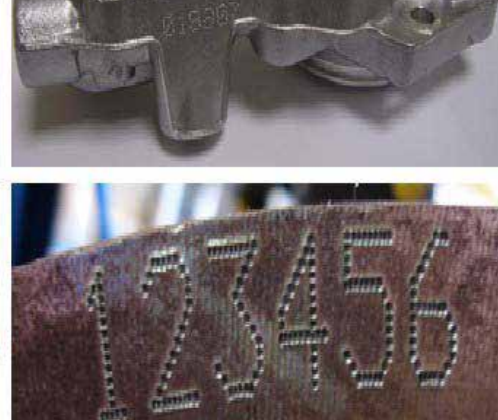
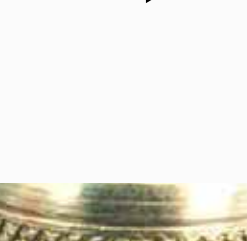
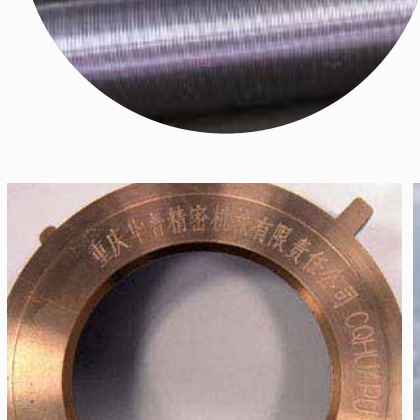
Customization

- Rotary axis for circular marking
- Fixture holder for holding products
- Different marking window sizes



Model	HS-DP01	HS-DP02	HS-DP03	HS-DP04
Standard Marking Area	120mm x 80mm/150mm x 130mm/200mm x 150mm/300mm x 200mm			
Marking Speed	30mm~40mm/s			
Impact Frequency	300 times/s			
Repeated Accuracy	0.001mm			
Marking Depth	0.1mm~2mm (depends on material)			
Power Supply	AC 100V~240V 50HZ/60HZ			
Air Power Request	0.2Mpa~0.6Mpa			
Marking Content	English characters, number, all kinds of graphic, logo, dot matrix 2D codes, Barcode, Serial Number, circle Letter and etc.			
Humidity	0-90% (Non-condensing)			
Temperature	From 0 to 40 Centigrade Degree.			
Software Compatible	Windows 98/XP/7 32bit			

Applications



The Bench top Dot Peen marking machine works with equal efficiency in a wide range of industries such as Electronics, Metal Processing, Vehicle, Medical and Aerospace. It offers high levels of precision with unmatched convenience.

Marking

- Direct Part Marking (DPM) (process of permanent marking with barcodes. This makes tracking of parts through the full life cycle possible).
- Component Identification and Traceability
- Stock Metal engraving & marking – Stainless steel, brass, aluminum, copper, titanium
- Metal tagging, labeling and pipe marking - Aluminum, steel, copper etc.
- Lot Numbering
- VIN Code and Nameplate marking
- Cast and Forge marking
- Gear pump and Engine rod marking
- Time & Date marking
- Part, Equipment and Tools marking
- Batch & Shift coding
- Metal label marking

Options & Accessories



Automatic tag feeder



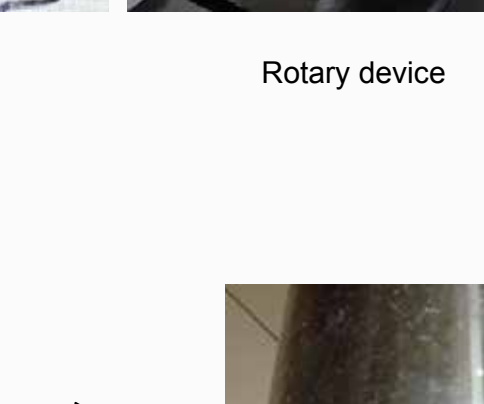
Data Matrix/2D code reader



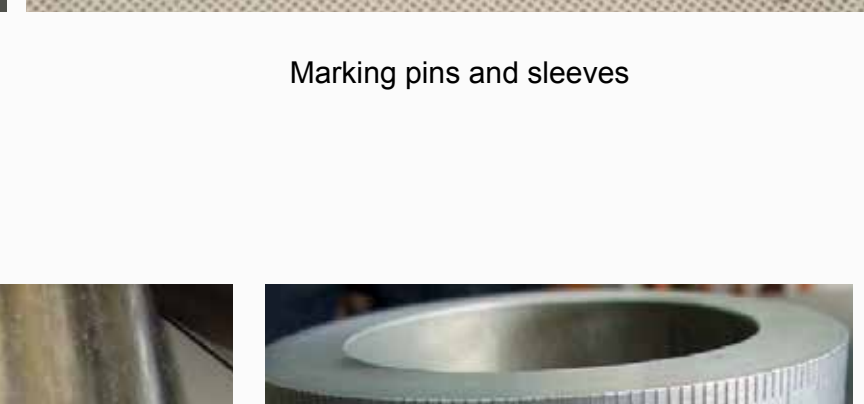
Plate holder



Foot switch



Rotary device



Marking pins and sleeves

